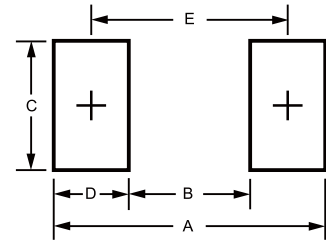
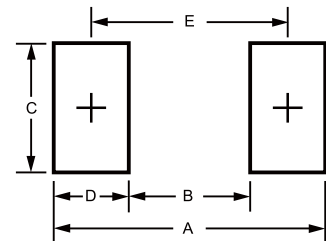


Eris Suggested Soldering Pad Layout

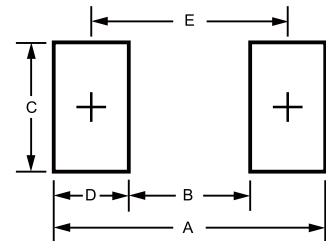
| Outline Symbol | SOD-723 | SOD-523 | SOD-323 |
|-------------------|---------|---------|---------|
| A | 1.40 | 2.30 | 3.75 |
| B | 1.00 | 1.10 | 1.05 |
| C | 0.70 | 0.80 | 0.90 |
| D | 0.50 | 0.60 | 0.80 |
| E | 1.10 | 1.70 | 2.40 |



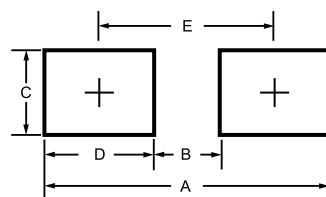
| Outline Symbol | SOD-123L | SOD-123F | SOD-123 |
|-------------------|----------|----------|---------|
| A | 4.00 | 4.25 | 4.90 |
| B | 1.60 | 1.52 | 2.50 |
| C | 1.80 | 1.80 | 1.20 |
| D | 1.34 | 1.34 | 1.10 |
| E | 2.90 | 2.86 | 3.70 |



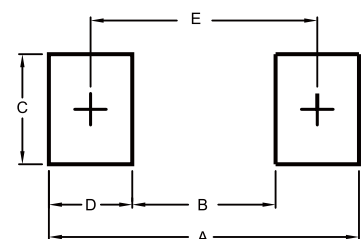
| Outline Symbol | 0805 | 1206 | MINI MELF (DO-213AA) | MELF (DO-213AB) |
|-------------------|------|------|----------------------------|--------------------|
| A | 2.25 | 3.45 | 4.70 | 6.30 |
| B | 1.22 | 2.16 | 2.10 | 3.30 |
| C | 1.40 | 1.70 | 1.70 | 2.70 |
| D | 0.51 | 0.64 | 1.30 | 1.50 |
| E | - | - | 3.50 | 4.80 |



| Outline Symbol | SMAF (DO-221AC) | SMA (DO-214AC) | SMB (DO-214AA) |
|-------------------|--------------------|-------------------|-------------------|
| A | 6.50 | 6.50 | 6.80 |
| B | 1.50 | 1.50 | 1.80 |
| C | 2.72 | 1.70 | 2.92 |
| D | 2.50 | 2.50 | 2.50 |
| E | 4.00 | 4.00 | 4.30 |

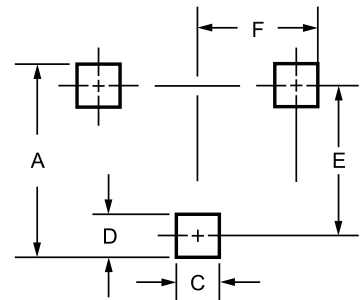


| Outline Symbol | SMC (DO-214AB) |
|-------------------|-------------------|
| A | 9.40 |
| B | 4.40 |
| C | 3.30 |
| D | 2.50 |
| E | 6.80 |

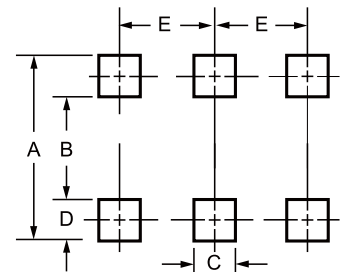


*All dimensions in millimeters

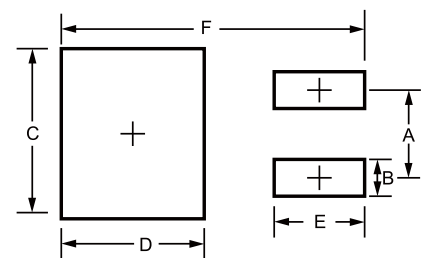
| Outline Symbol | SOT-23 | SOT-323 | SOT-523 | SC-59 |
|-------------------|--------|---------|---------|-------|
| A | 2.90 | 2.80 | 1.80 | 3.40 |
| C | 0.80 | 0.70 | 0.40 | 0.80 |
| D | 0.90 | 0.90 | 0.51 | 1.00 |
| E | 2.00 | 1.90 | 1.30 | 2.40 |
| F | 0.35 | 1.00 | 0.70 | 1.35 |



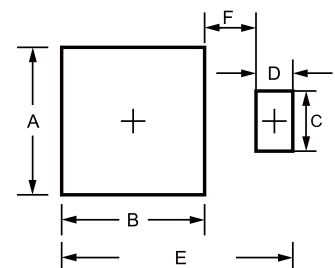
| Outline Symbol | SOT-363 |
|-------------------|---------|
| A | 2.50 |
| B | 1.30 |
| C | 0.42 |
| D | 0.80 |
| E | 0.65 |



| Outline Symbol | D2PAK |
|-------------------|-------|
| A | 5.08 |
| B | 1.10 |
| C | 10.80 |
| D | 8.30 |
| E | 3.50 |
| F | 16.90 |

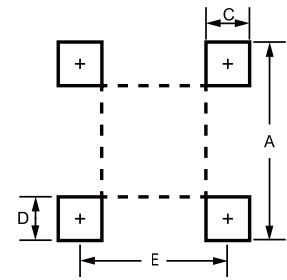


| Outline Symbol | DO-218 |
|-------------------|--------|
| A | 10.0 |
| B | 9.0 |
| C | 2.7 |
| D | 2.0 |
| E | 15.1 |
| F | 3.5 |

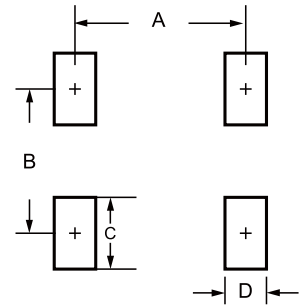


*All dimensions in millimeters

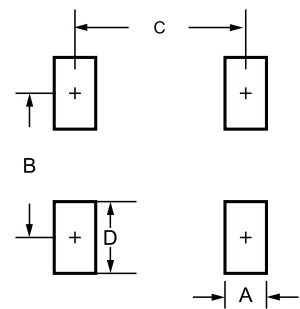
| Outline Symbol | EBS | ABS | MBS | DFS |
|-------------------|------|------|------|-------|
| A | 6.70 | 6.90 | 6.91 | 10.26 |
| C | 1.10 | 1.10 | 0.90 | 1.20 |
| D | 1.10 | 1.50 | 1.50 | 1.52 |
| E | 4.00 | 4.00 | 2.67 | 5.20 |



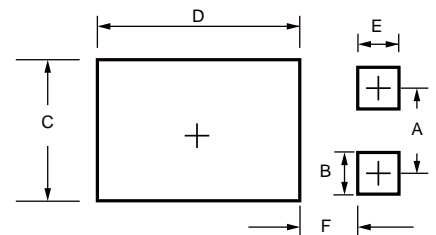
| Outline Symbol | MBF |
|-------------------|------|
| A | 2.40 |
| B | 6.00 |
| C | 1.84 |
| D | 0.90 |



| Outline Symbol | DBF |
|-------------------|------|
| A | 1.40 |
| B | 7.60 |
| C | 5.00 |
| D | 1.60 |
| E | - |
| F | - |



| Outline Symbol | TO-277 |
|-------------------|--------|
| A | 1.94 |
| B | 1.10 |
| C | 3.35 |
| D | 4.90 |
| E | 1.00 |
| F | 1.40 |



*All dimensions in millimeters